



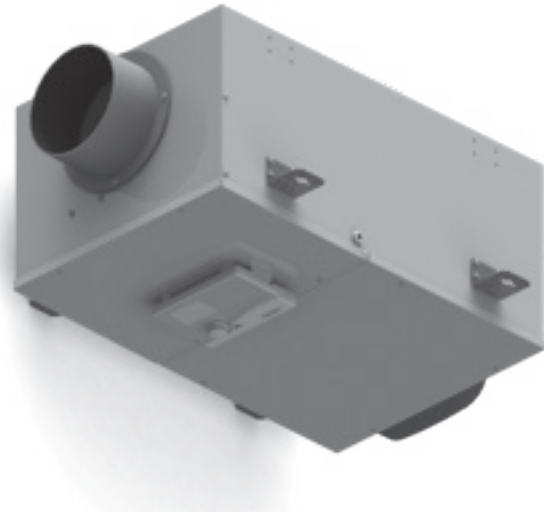
SPECIFICATION SHEET

MODEL 8140

Fresh Air Ventilator

With Powered Damper and Filter

PRODUCT SPECIFICATIONS	
Overall Dimensions	11.9" H x 14.4" W x 27.8" L
Inlet Collar	6" Round
Outlet Collar	6" Oval
Ventilation Time Dial Setting	Off, 15-60 minutes, (5 min. increments), Test/Reset
Ambiant Temperature	0°F to 160°F
Outdoor Temperature	Setting A, no limit, time only
Limit Settings	"B", 105°F high limit, 20°F low limit "C", 100°F high limit, 30°F low limit "D", 95°F high limit, 40°F low limit
Voltage	115 VAC, 1 phase, 60 Hz
Power	Includes 5' power cord with 5-15P plug
Ducting	6" diameter flexible insulated duct
Warranty	5 years
ETL	Tested to UL Standard 705 – Power Ventilators Not For Outdoor Use



FEATURES

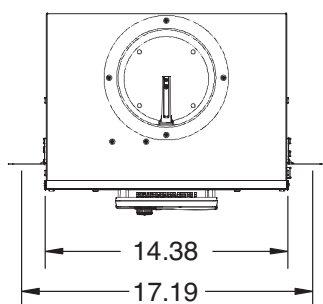
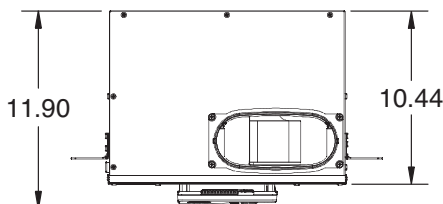
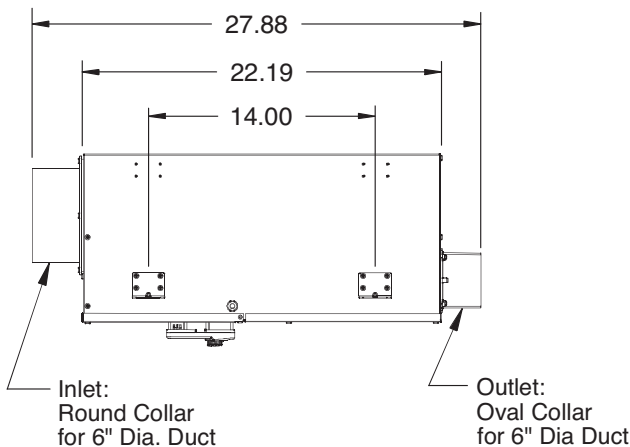
- Unit is designed, when properly installed, to achieve ASHRAE Standard 62.2 2010
- Complies with 2012 & 2015 IECC (2.8 cfm/watt)
- Control is integrated into the Ventilator
- High and Low Temperature Limit Lock-outs while maintaining ASHRAE 62.2 2010
- Simple plug-in installation
- Installation temperature range up to 160°F
- Intergrated powered damper
- Removable, washable filter

BENEFITS

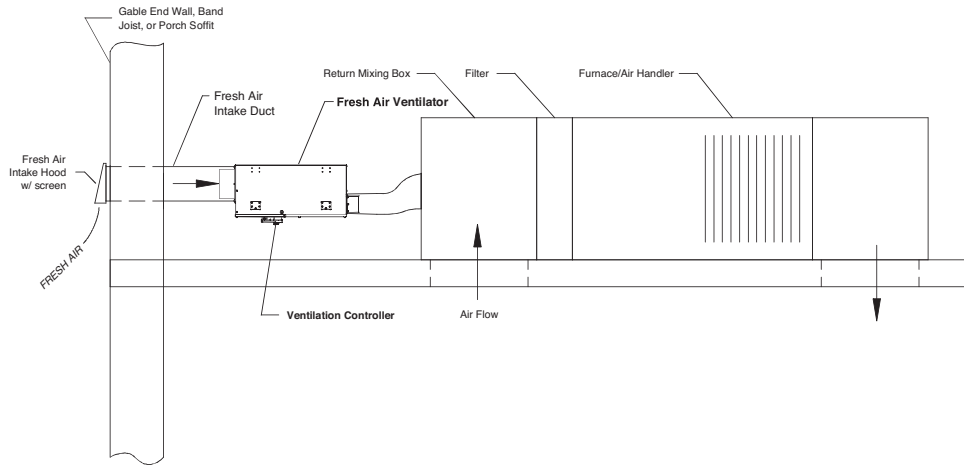
- The precise amount of outside air needed in today's efficiently designed homes is delivered
- Optimize energy savings by locking out ventilation during hottest/coldest times of the day
- Improves indoor air quality
- Robust design handles hot attics
- Installation labor reduced, requires only a switched outlet and 24 volt wiring to HVAC system
- Furnace or air handler does not require an ECM motor

When properly installed and set, the Aprilaire Model 8140 Fresh Air Ventilator will meet the mechanical ventilation requirements of:

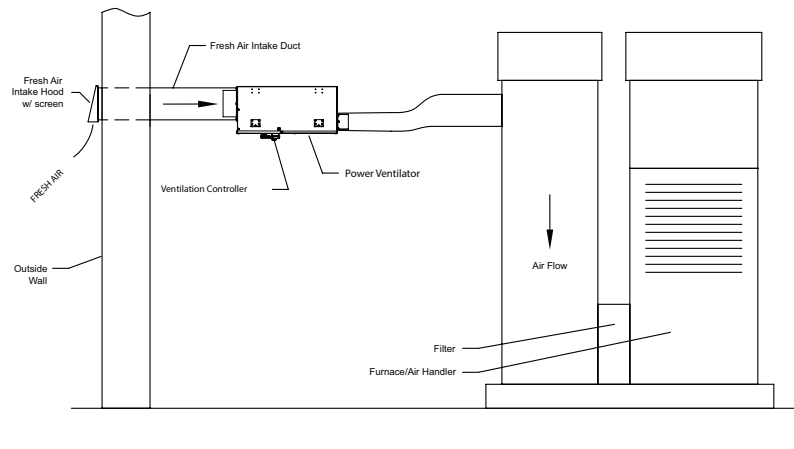
- Energy Star Certified Homes, Version 3
- EPA Indoor airPLUS, Version 1
- 2012 International Residential Code (IRC)
- 2012 & 2015 International Energy Conservation Code (IECC)
- California Energy Commission Title 24



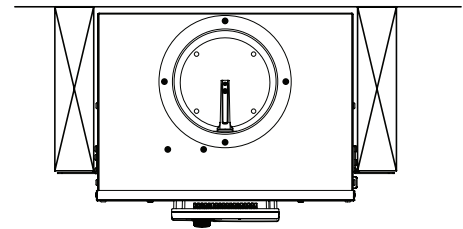
Typical Attic Installation



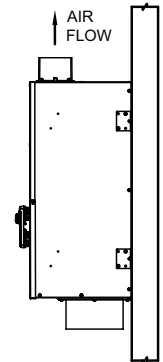
Typical Basement Installation



Mounted To The Joist



Mounted To The Wall



PERFORMANCE

Static Pressure* ("w.c.)	Airflow (CFM)	Current (amps)	Power (watts)	Efficacy (CFM/watt)
0.0	285	.4	53	5.39
0.2	250	.4	53	4.70
0.4	195	.4	52	3.75
0.6	130	.4	50	2.62
0.8	25	.4	44	0.52

* Measured across ventilator.

APRILAIRE RESERVES THE RIGHT TO CHANGE SPECIFICATIONS WITHOUT NOTICE.

PO Box 1467 • Madison, WI 53701-1467 • Phone 800/334-6011 • Fax 608/257-4357 • www.aprilairepartners.com

